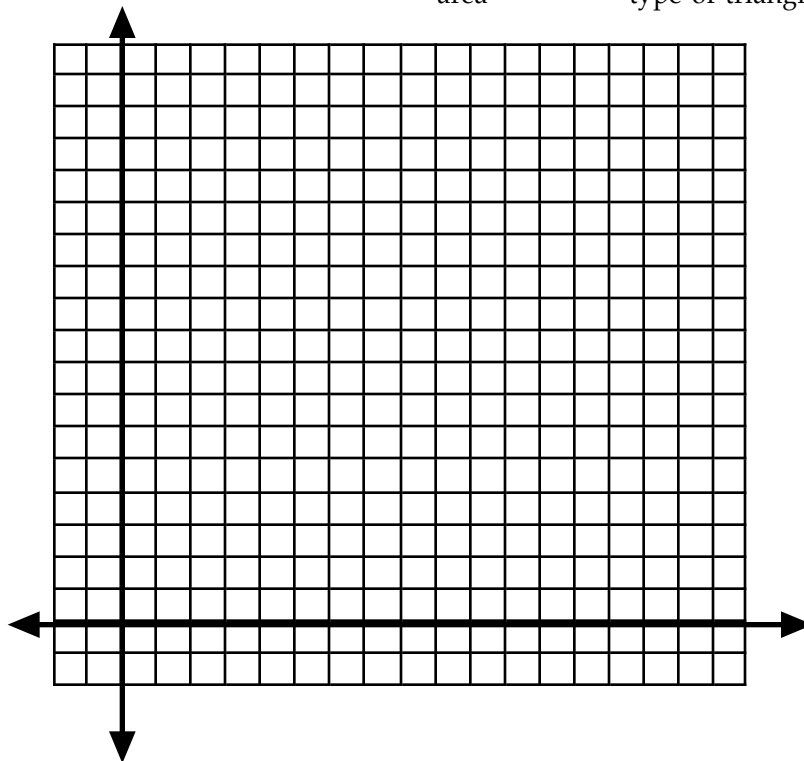


Graphing and questions

Points to graph

- A (0, 0) B (3, 0) C (0, 4) Connect to form ΔABC
~ area length of segment BC type of triangle
- M (0, 0) N (0, 6) O (8, 0) Connect to form ΔMNO
~ area length of segment NO type of triangle
- Segment X (7, 11) Y (10, 11)
~ circumference and area of circle with a radius of XY
- F (5, 5) G (11, 5) H (9, 9) Connect to form ΔFGH
~ area type of triangle



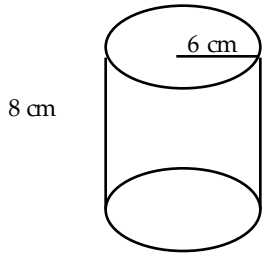
Warm Up # 61

J Allyn

Name _____

2 Total surface area of the following:

Figure _____



Words _____

Surface area in terms of π

3

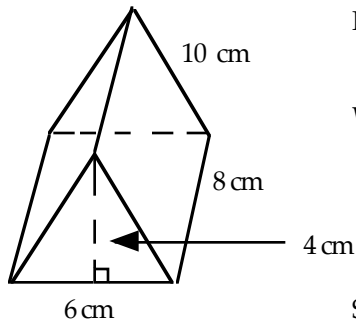


Figure _____

Words _____

Surface area

4

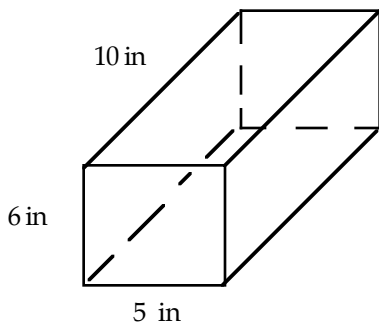


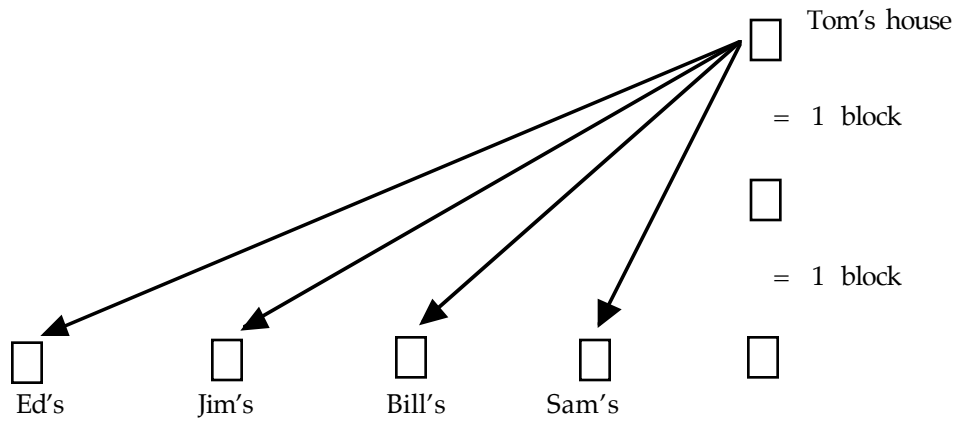
Figure _____

Words _____

Surface area _____

5 Find the total surface area and volume of a cube with a side of 3m.

6



- a) Tom walks directly across the field to Bill's house then down the street to Ed's and then home. What is the exact distance of his walk (in blocks) ?
- b) The next day, Tom does not take the short cut across the field to Jim's. He walks down the street and around the corner to Jim's. He then takes the short cut home. What is the approximate distance he has walked (in blocks)

7 Expand $(3x + y)^2$

8

